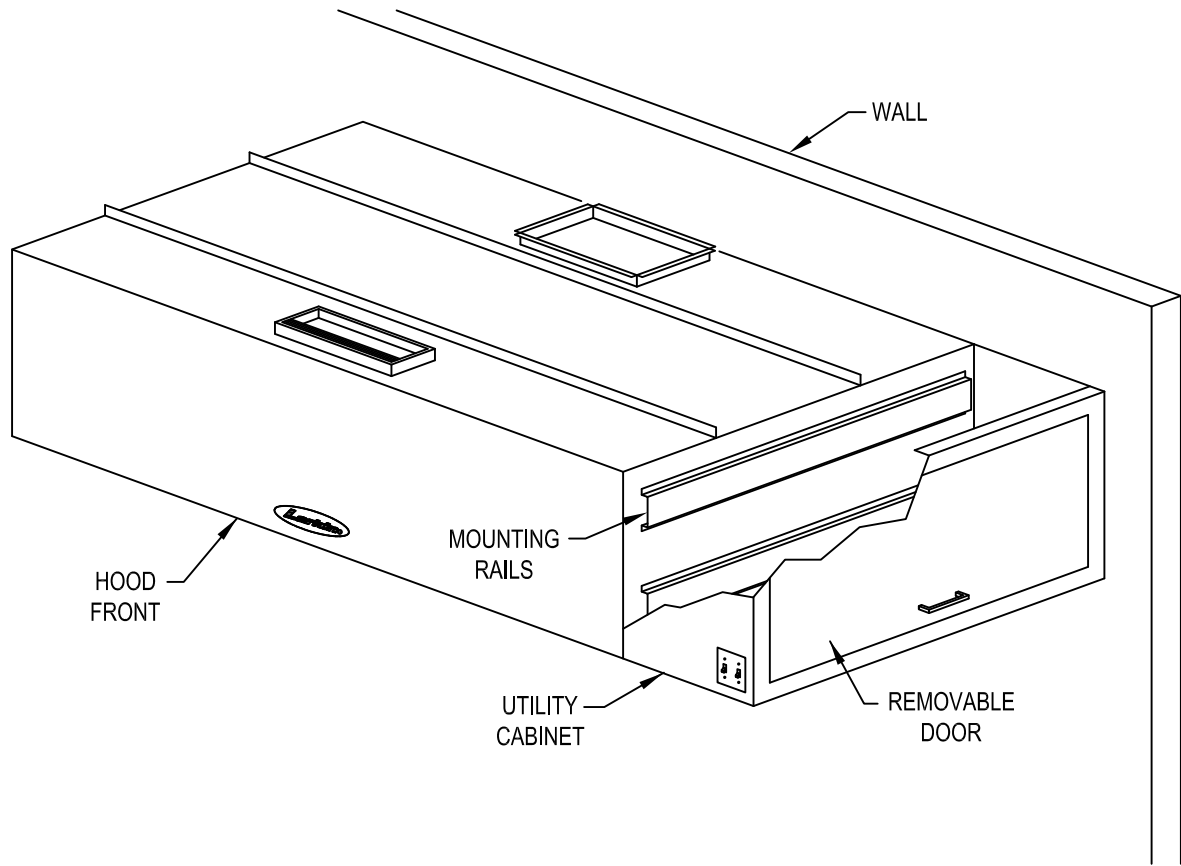




FIRE/ UTILITY CABINET



An ETL listed 12" (standard) or 15" cabinet fabricated from the same material as the hood houses a factory pre-piped fire suppression system. The cabinet may also be used to house pre-wired electrical controls. The cabinet has a removable door for easy access.