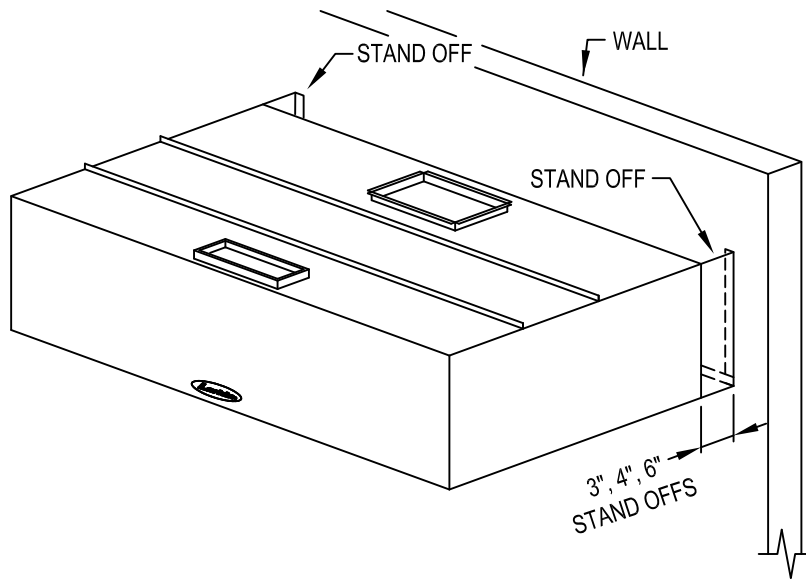




STAND-OFFS



OPTIONAL CLEARANCE REDUCTION SYSTEMS IN COMPLIANCE WITH NFPA-96, 4.2.3	
WALL CONSTRUCTION	CLEARANCE REDUCTION SYSTEM
NON-COMBUSTIBLE	NONE REQUIRED
LIMITED-COMBUSTIBLE	3" UNINSULATED STAND-OFF
COMBUSTIBLE	3" INSULATED STAND-OFF

