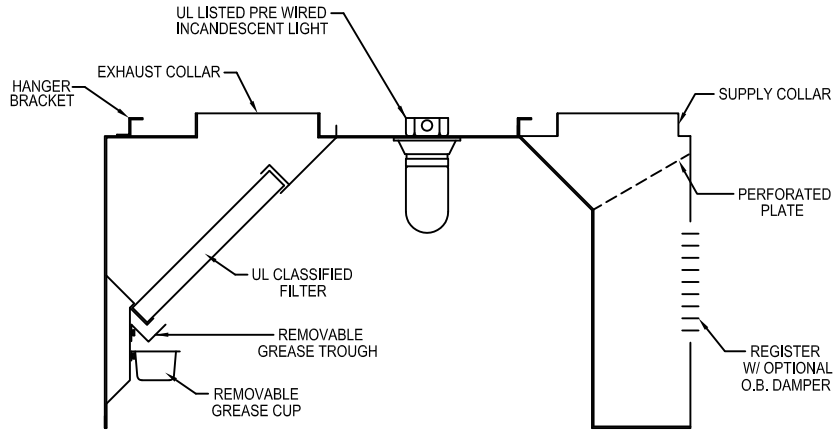


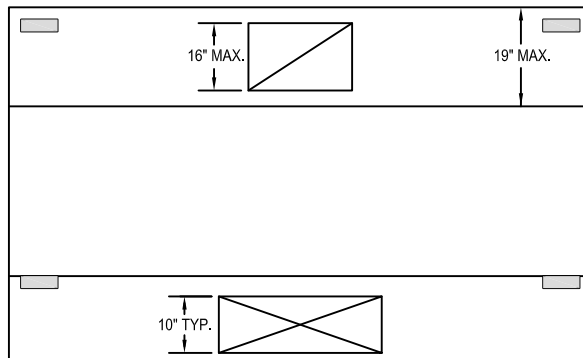
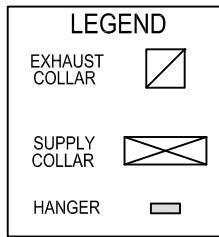


Model: RF
(Register Front)

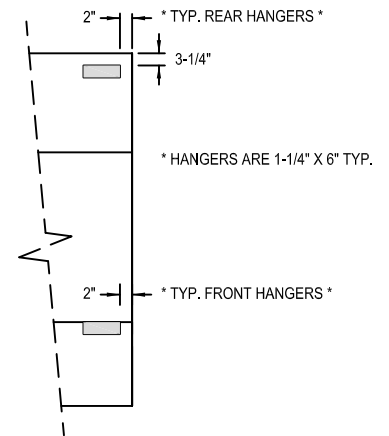
WALL MOUNTED



SECTION VIEW



PLAN VIEW



HANGER LOCATION

