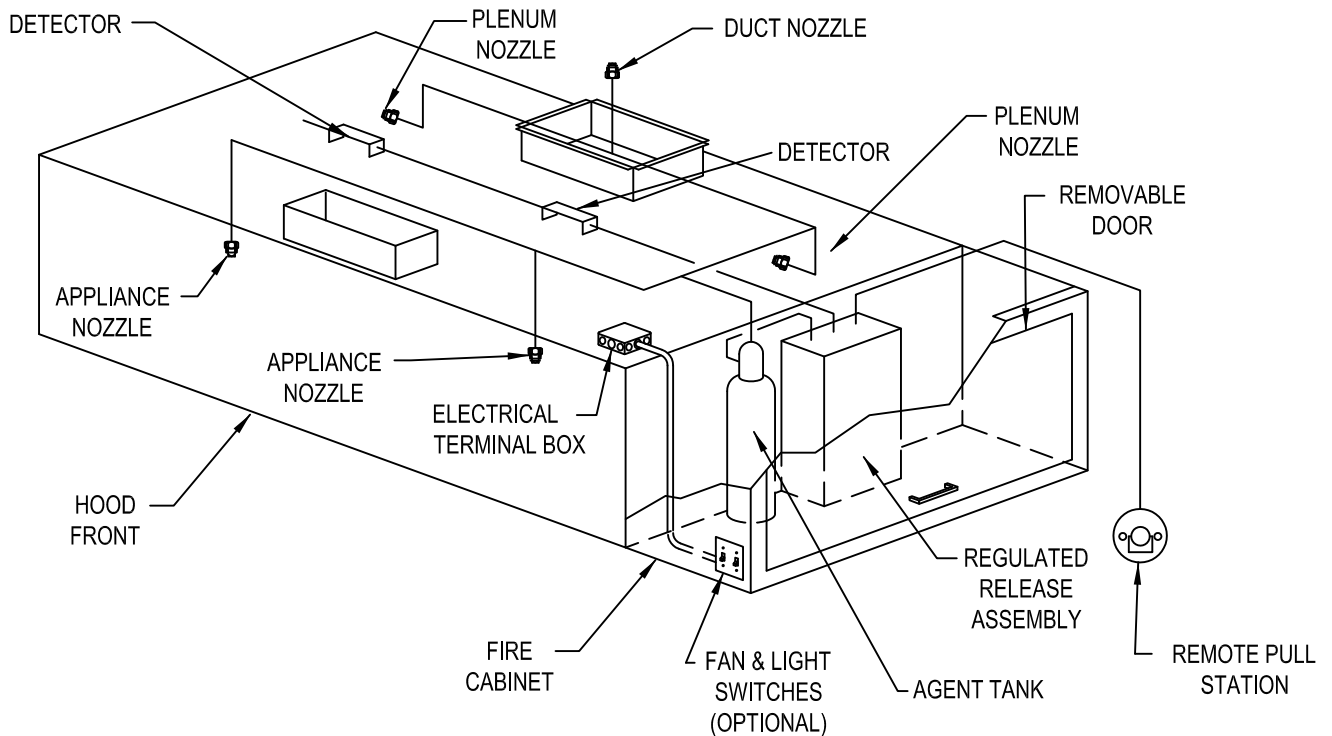




## HOOD MOUNTED FIRE SUPPRESSION



### System Components

Regulated Release Assembly (OEM Bracket), Liquid Agent Tank(s), Detectors, Piping with Nozzles, Manual Pull Station, and Gas Shut-Off Valve.

### Mounting

Hood mounted fire suppression systems consist of a 12" wide utility cabinet mounted on the left or right hand end of the factory pre-piped hood as specified. Cabinets contain OEM regulated release assembly and liquid agent tank(s). The only field connections necessary for complete installation are the remote pull station and gas shut-off valve.

### Field Connections

The system is field connected by a qualified and insured fire equipment distributor. It is the responsibility of Larkin Industries, Inc. to contract final hook-up of a system. It is the responsibility of the customer to notify Larkin Industries, Inc., 5 working days prior to required day of final hook-up.

Note: This is a product application guideline only. Each equipment package is specifically designed to meet job requirements and building code authorities.