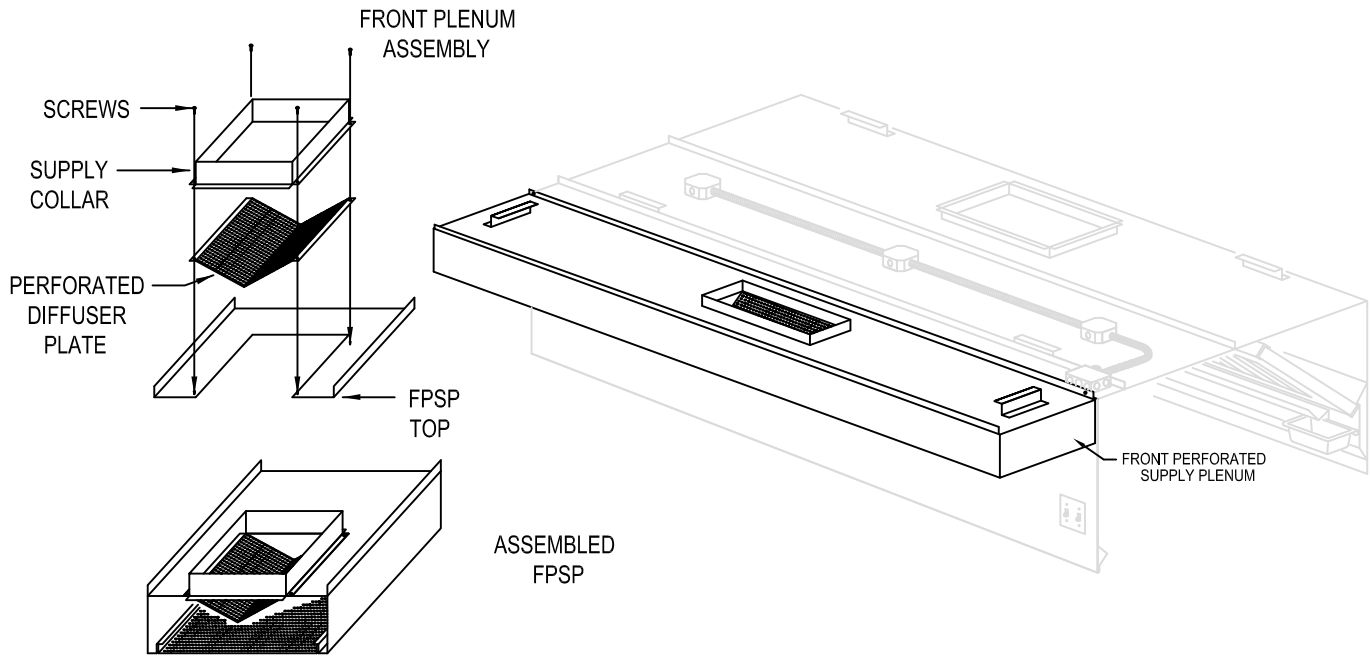




FRONT PERFORATED
SUPPLY PLENUM
(FPSP)



FPSP Plenums are to be field mounted on the front of the hood and hung by threaded rod or ceiling wire. Supply collars can be shipped mounted or loose. Plenum can be constructed in one piece up to 16' long.

Features:

- 430 stainless steel construction
- Standard plenum width is 12" or 16"
- Standard plenum height is 6"

Benefits:

- Easy to install
- Integral self balancing perforated panels discharge air along the full length of the hood.
- Make up air is directed into the capture and containment area.

