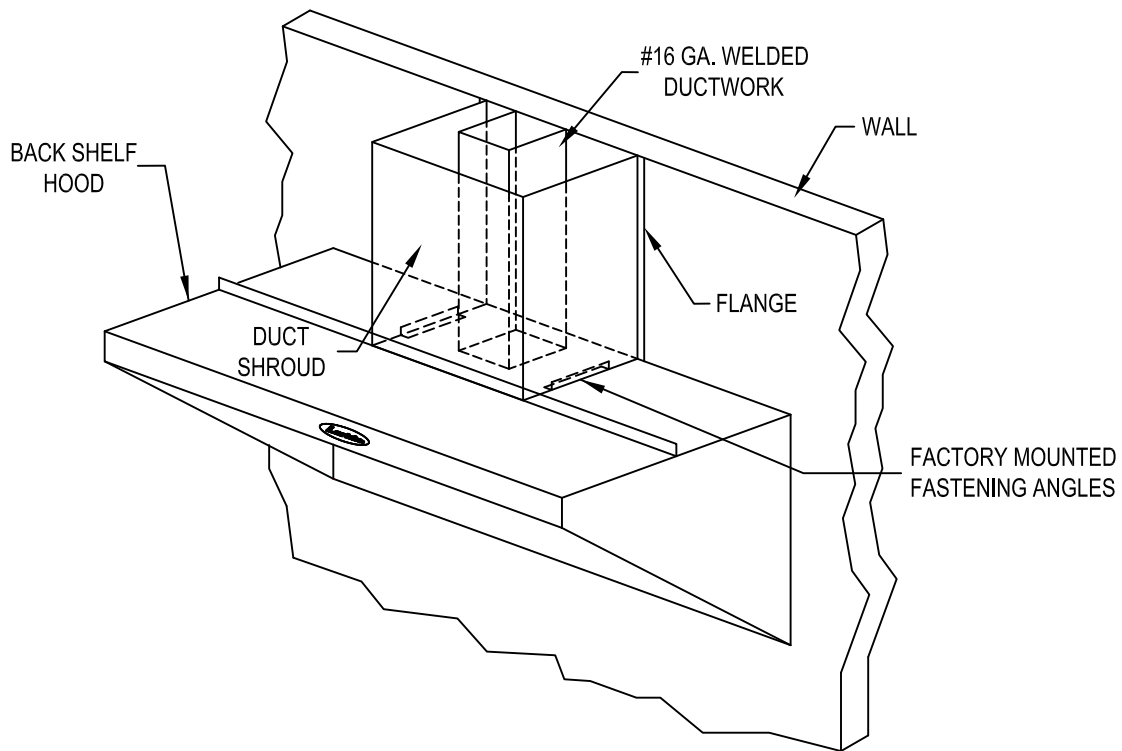




DUCT SHROUD



Duct shrouds are used to enclose the welded exhaust duct on the Back Shelf type hood models and give a clean finished appearance.