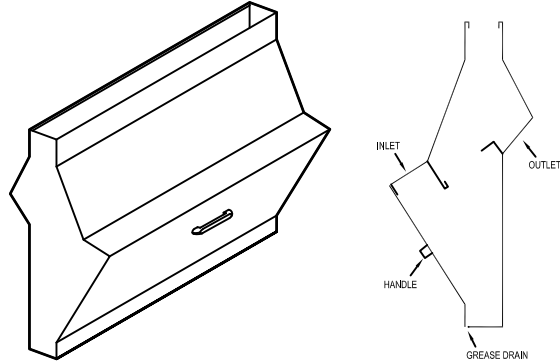




CARTRIDGE FILTER



CARTRIDGE FILTER

- Features:
- Stainless steel frame construction.
  - High velocity capture.
  - Superior smoke and grease containment.
  - Extreme durability.
  - Easy dishwasher cleaning.

High Velocity Slot  
Filter Specifications:

The grease extractors used shall be the Larkin Industries, Inc. Model HVC 1620SS. The grease extractor shall be constructed of all heavy gauge stainless steel and be of the Larkin "Four Pass" design for maximum grease extraction.