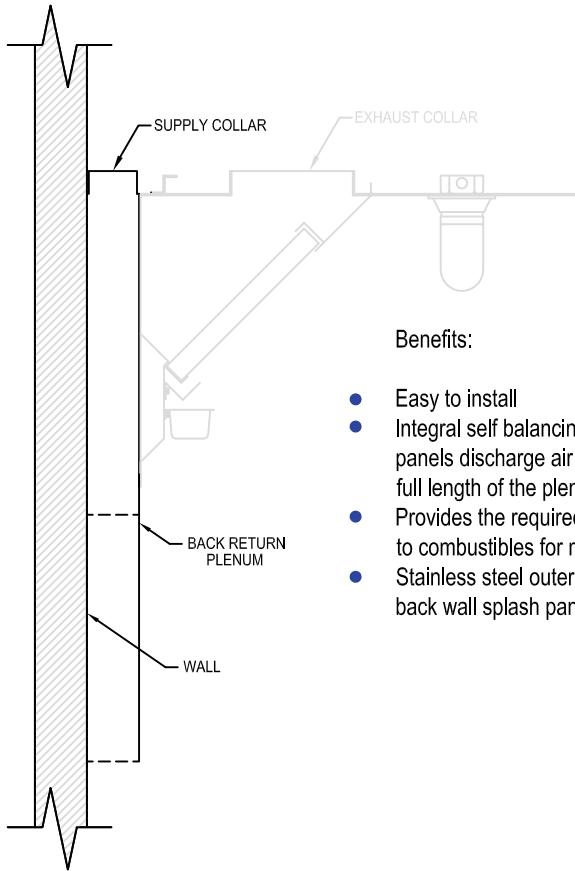
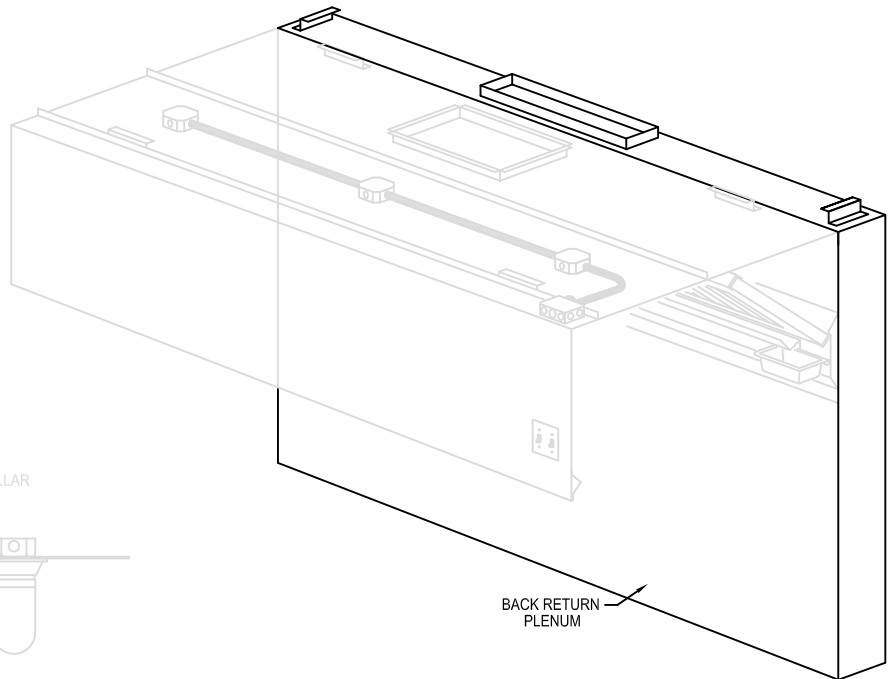




**BACK RETURN PLENUM  
(BR)**

Back return plenum to be field mounted to the wall and hung by threaded rod or ceiling wire. Plenums 4' through 10' length are constructed in one section, over 10' in length are constructed in multiple sections. All supply collars are 24" x 6" (1) per section.



**Benefits:**

- Easy to install
- Integral self balancing perforated panels discharge air along the full length of the plenum.
- Provides the required clearance to combustibles for most installations.
- Stainless steel outer shell doubles as back wall splash panels.

**Features:**

- 430 stainless steel construction on all exposed surfaces.
- Standard plenum width is 6"
- Standard plenum height is 69"
- Insulated with 1" thick 3 lb. density foil back insulation.

**Options:**

Custom sizes available.  
Available in 304 stainless steel.

