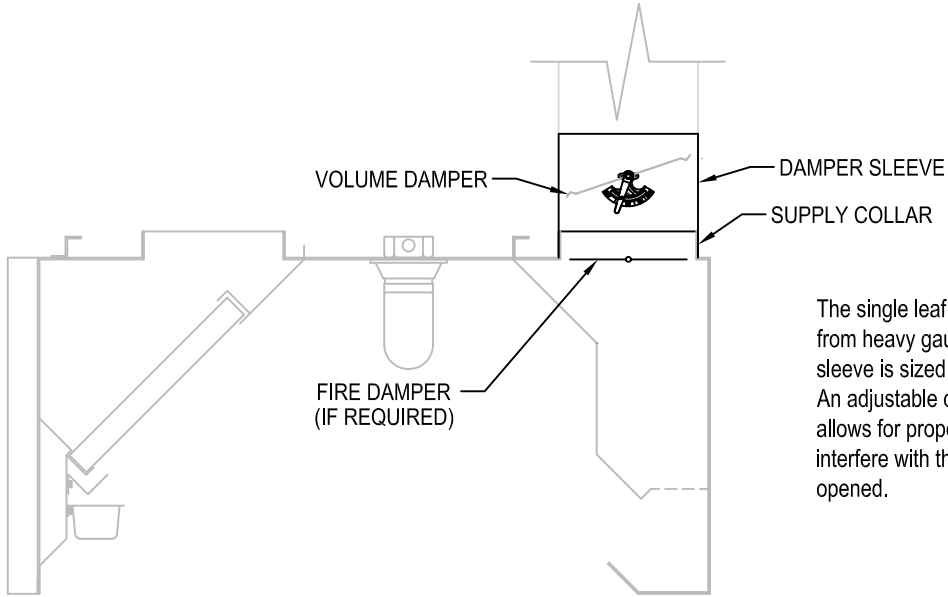


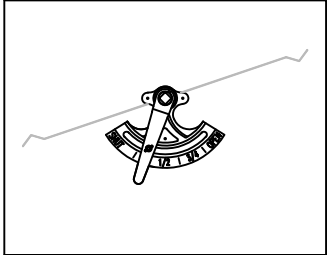
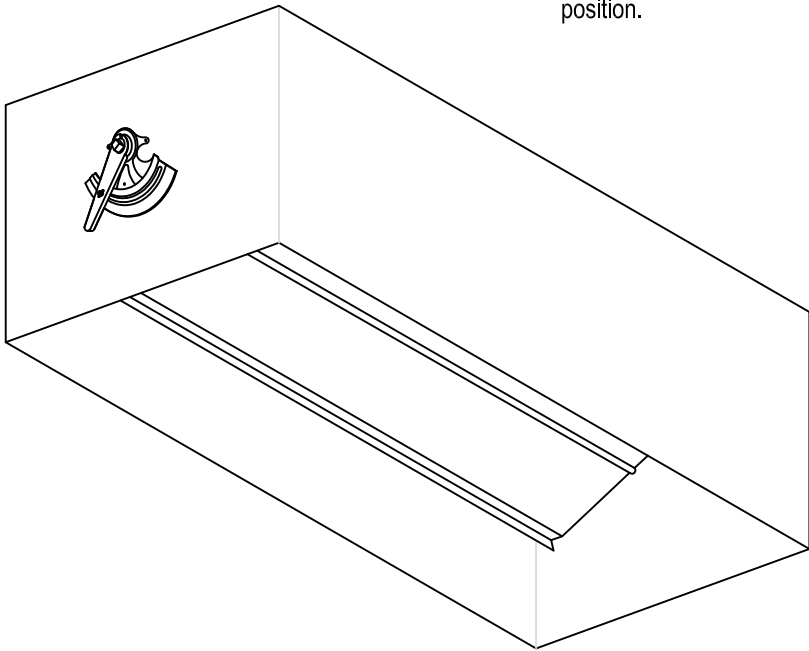


VOLUME DAMPER

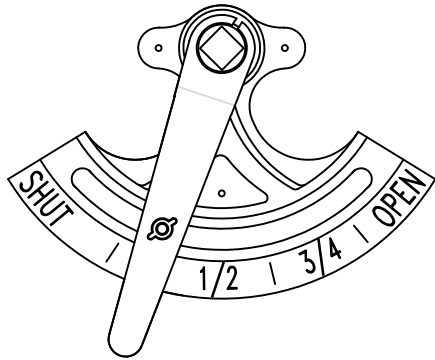


The single leaf volume damper is manufactured from heavy gauge galvanized steel. The damper sleeve is sized to accommodate the supply collar(s). An adjustable damper blade with locking quadrant allows for proper air flow balance and will not interfere with the fire damper (if required) when fully opened.

Single leaf volume damper demonstrated in $\frac{3}{4}$ shut position.



SIDE VIEW



LOCKING QUADRANT