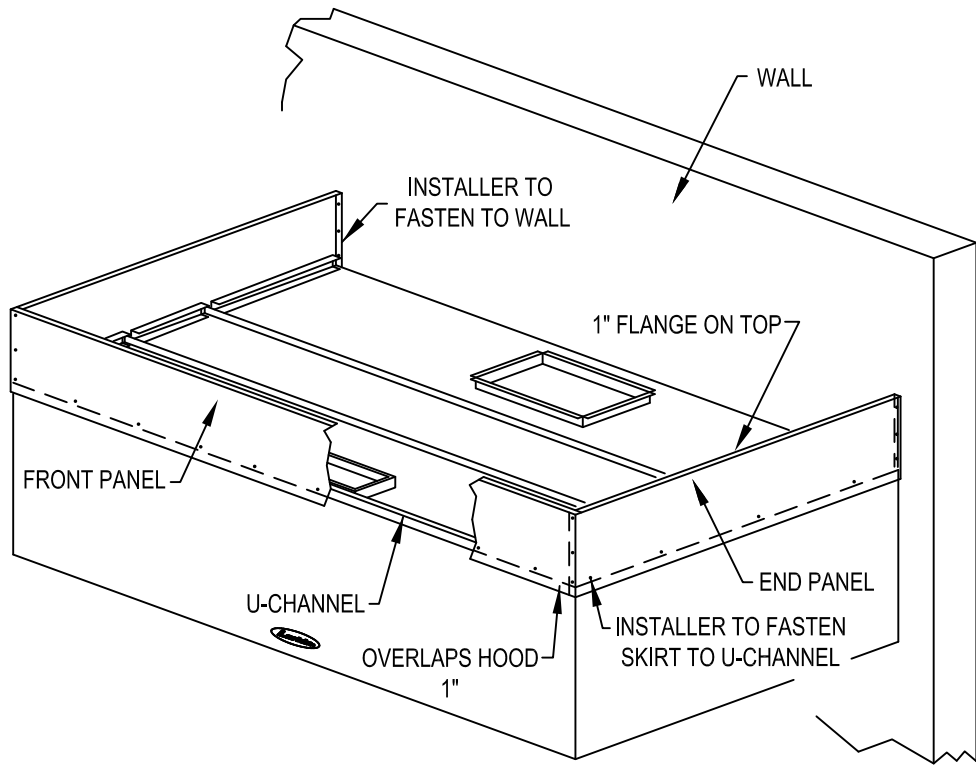
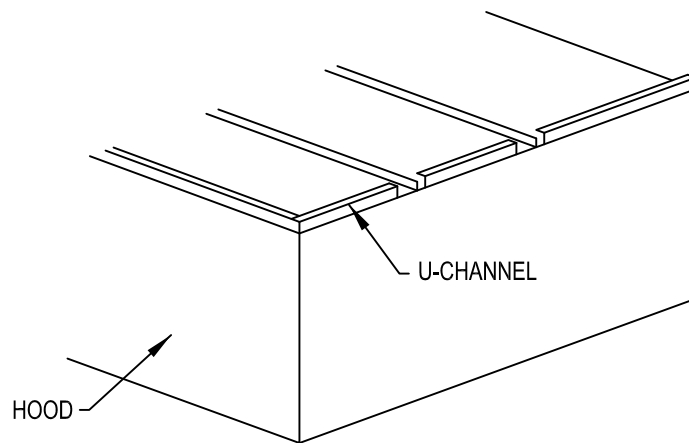




ENCLOSURE PANELS



Enclosure panels are manufactured from the same material type as the hood provided. Enclosure panels close off the area between the top of the hood and the finished ceiling hiding ductwork, hanging hardware, and electrical wiring. Panels are to be mounted to U-channel by means of screws or rivets. The front enclosure panel should be fastened to the end panels with the end panels secured to the wall.



U-channels are factory mounted to top of hood. Install panels with overlap on hood and fasten to u-channel.