



ARS-PACKAGE FAN
(ARS-P)

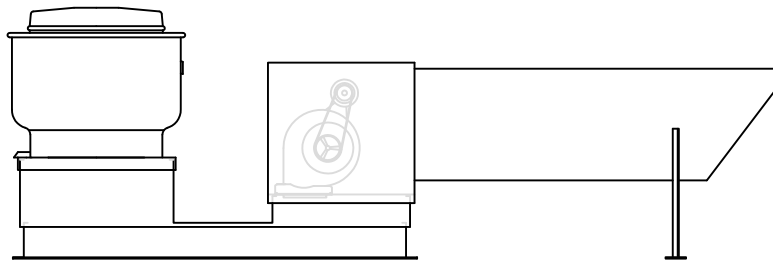
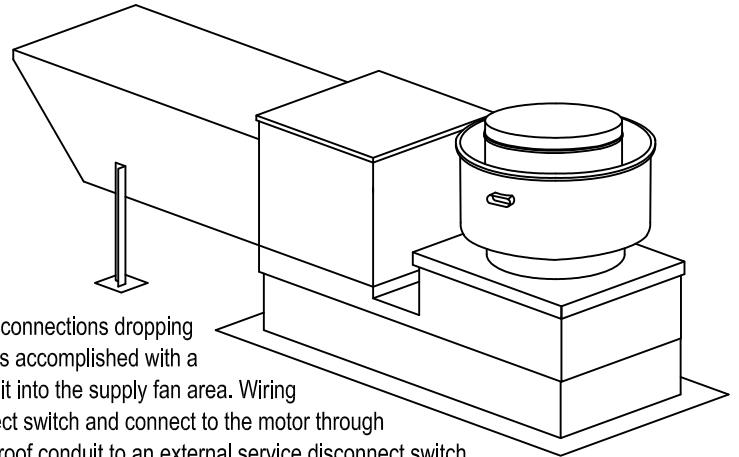
Un-Tempered Rooftop Package

Specifications

The Model ARS-P Rooftop Package is an exhaust and supply air unit integrated into a single package. The unit shall be constructed of heavy gauge galvanized steel; all seams shall be sealed to assure water-tightness and durability. Only one roof opening shall be required per package.

Wiring

The entire rooftop package shall be factory prewired with input power connections dropping through the unit. Pitch pockets are not required. Wiring to the motors is accomplished with a length of flexible conduit, which will enter through the bottom of the unit into the supply fan area. Wiring for the supply fan motor shall run through an internal service disconnect switch and connect to the motor through flexible conduit. Wiring for the exhaust fan shall run through weatherproof conduit to an external service disconnect switch mounted on the fan. Optional motor starter, if required, shall be installed in the custom wiring package (when purchased separately). Single phase motors are available in 120/240 volt and have built-in automatic reset thermal overloads. Three phase motors are available in 208/240/460 volts.



Exhaust

The exhaust air side of the package shall utilize a grease trap design, centrifugal, upblast exhaust fan. The fan shall be specifically designed to work with the rest of the package both physically and functionally. A UL Classified motor, adjustable cast iron pulleys, and heavy duty belt shall be standard on all units. The fan shall carry the UL 762 label. Each exhaust fan shall bear the AMCA Certified Ratings Seal for sound and air performance.

NOTE: The rooftop package is not certified by AMCA. Only the Exhaust ventilator is licensed to bear the AMCA certification rating seal for sound and air performance.

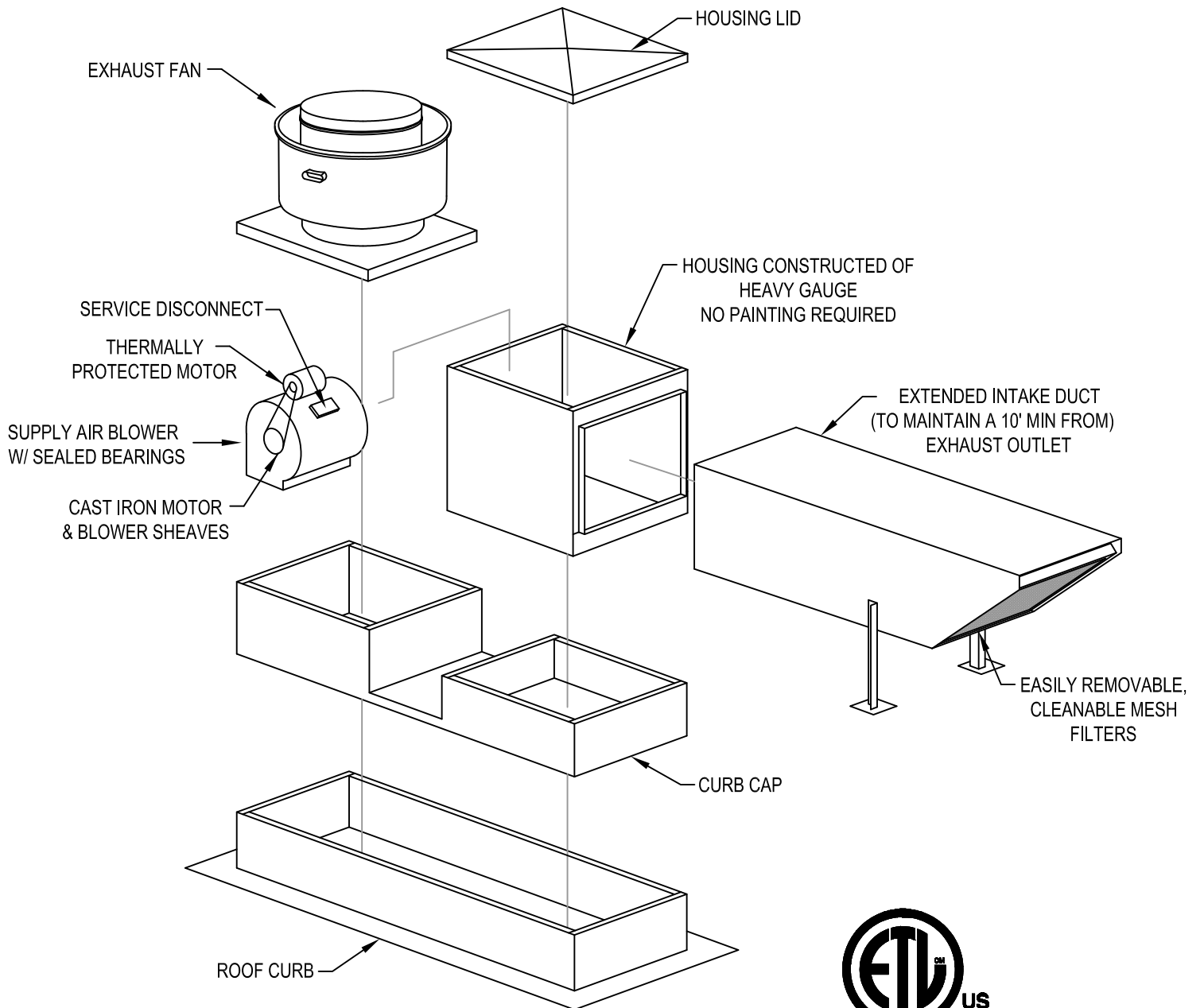
Supply

The supply air side of the package shall utilize a belt-driven, double inlet, forward curved centrifugal blower type. The blower assembly shall be mounted on vibration isolators. Drives shall be sized for a minimum of 150% of driven horsepower. Motor shall be continuous duty, double sealed bearings, thermally protected, and UL recognized. The supply air section of the unit shall be covered by a removable lid and be ETL 705 Listed.





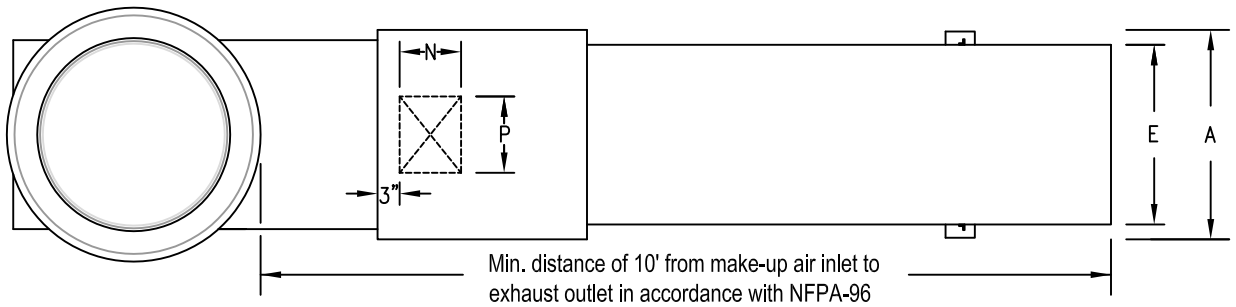
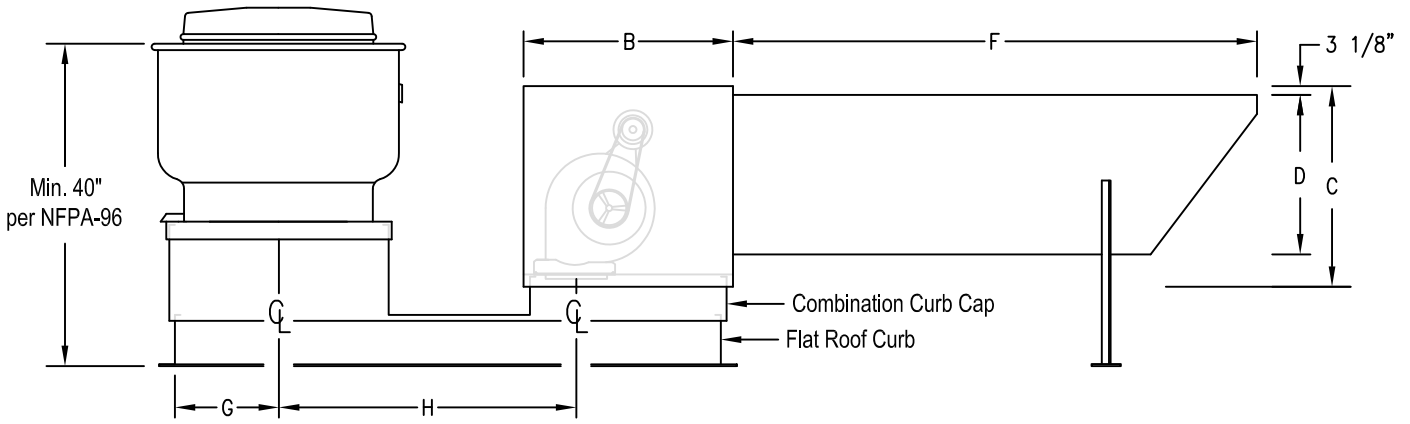
ARS-PACKAGE FAN
(ARS-P)



Intertek



ARS-PACKAGE FAN
(ARS-P)

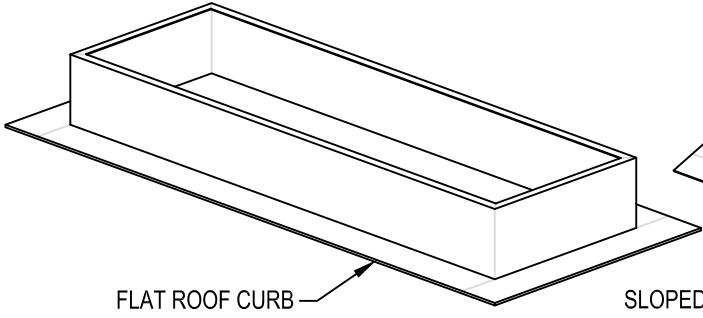


| FAN DIMENSIONAL DATA | | | | | | | | | | | FILTER SIZES |
|--------------------------|----|----|----|----|----|--------|--------|--------|--------|--------|-----------------|
| MODELS: ARS-P-10 Thru 18 | A | B | C | D | E | F | G | H | N | P | QTY. & SIZE |
| ARS - P - 10 | 23 | 24 | 35 | 25 | 20 | 92 1/4 | 11 1/2 | 37 3/4 | 12 | 13 1/2 | (2) 16 X 20 X 1 |
| ARS - P - 12 | 29 | 34 | 35 | 25 | 25 | 91 1/4 | 14 1/2 | 36 3/4 | 14 1/4 | 16 | (2) 16 X 25 X 1 |
| ARS - P - 15 | 33 | 34 | 35 | 25 | 30 | 91 1/4 | 16 1/2 | 39 1/2 | 16 1/2 | 19 | (2) 16 X 30 X 1 |
| ARS - P - 18 | 42 | 42 | 43 | 30 | 40 | 96 1/4 | 21 | 45 1/2 | 19 | 22 | (2) 20 X 20 X 1 |

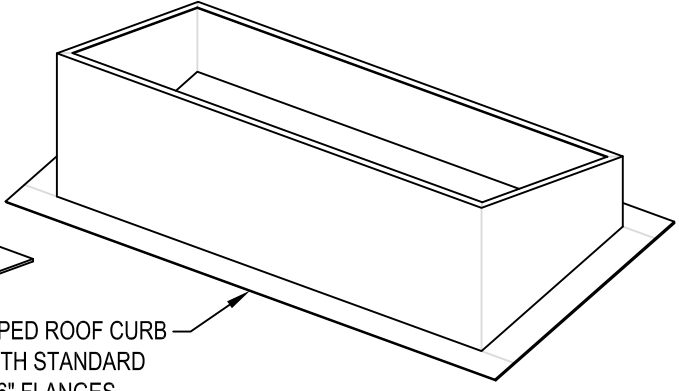
* All dimensions are in inches *



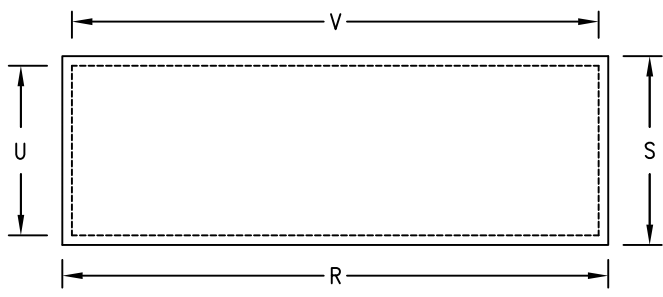
ARS-PACKAGE FAN
(ARS-P)



FLAT ROOF CURB
WITH STANDARD
4" FLANGES



SLOPED ROOF CURB
WITH STANDARD
6" FLANGES



CURB PLAN VIEW



CURB SECTION VIEW

| MODELS: ARS-P-10 Thru 18 | CURB SIZES | | | ROOF OPENING | |
|--------------------------|------------|----|----|--------------|----|
| | R | S | T | U | V |
| ARS - P - 10 | 58 | 22 | 14 | 20 | 56 |
| ARS - P - 12 | 74 | 28 | 14 | 26 | 72 |
| ARS - P - 15 | 78 | 32 | 8 | 30 | 76 |
| ARS - P - 18 | 95 | 41 | 8 | 39 | 93 |

* All dimensions are in inches *